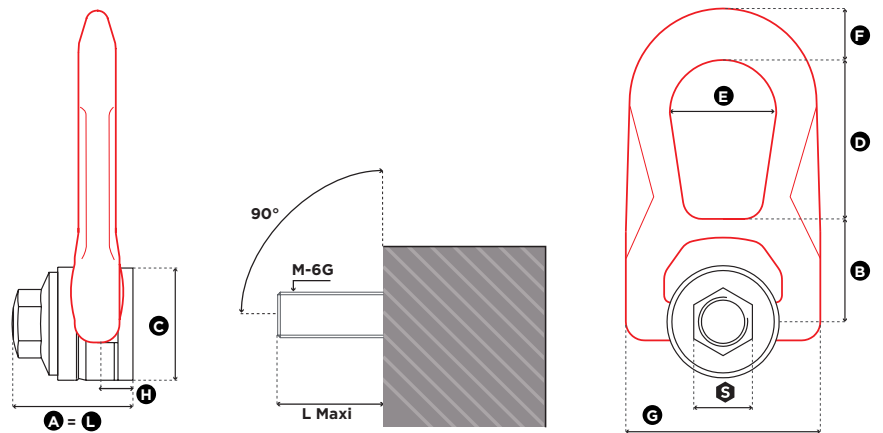


# FE.DSR

## FEMALE DOUBLE SWIVEL RING

GradUp



1 in = 25.4 mm

| Reference      | Diameter     | SF 5:1 WLL (t) | SF 4:1 WLL (t) | L Maxi (mm) | Torque (Nm) | S (mm) | A (mm) | B (mm) | C (mm) | D (mm) | E (mm) | F (mm) | G (mm) | H (mm) | Weight (kg) |
|----------------|--------------|----------------|----------------|-------------|-------------|--------|--------|--------|--------|--------|--------|--------|--------|--------|-------------|
| FE.DSR M 8 UP  | M 8 (x1,25)  | 0,40           | 0,50           | 45          | 6           | 20     | 45     | 40     | 45     | 53     | 38     | 17     | 76     | 13     | 0,9         |
| FE.DSR M 10 UP | M 10 (x1,5)  | 0,70           | 0,90           | 45          | 10          | 20     | 45     | 40     | 45     | 53     | 38     | 17     | 76     | 13     | 0,9         |
| FE.DSR M 12 UP | M 12 (x1,75) | 1,05           | 1,30           | 45          | 15          | 20     | 45     | 40     | 45     | 53     | 38     | 17     | 76     | 13     | 0,9         |
| FE.DSR M 14 UP | M 14 (x2)    | 1,40           | 1,80           | 45          | 30          | 20     | 45     | 40     | 45     | 53     | 38     | 17     | 76     | 13     | 0,9         |
| FE.DSR M 16 UP | M 16 (x2)    | 2,00           | 2,30           | 45          | 50          | 20     | 45     | 40     | 45     | 53     | 38     | 17     | 76     | 13     | 0,9         |
| FE.DSR M 18 UP | M 18 (x2,5)  | 2,30           | 2,30           | 62          | 70          | 24     | 62     | 55     | 60     | 83     | 55     | 25     | 115    | 19     | 2,6         |
| FE.DSR M 20 UP | M 20 (x2,5)  | 2,50           | 2,50           | 62          | 100         | 24     | 62     | 55     | 60     | 83     | 55     | 25     | 115    | 19     | 2,6         |
| FE.DSR M 22 UP | M 22 (x2,5)  | 3,50           | 4,50           | 62          | 120         | 24     | 62     | 55     | 60     | 83     | 55     | 25     | 115    | 19     | 2,6         |