

1 2 3 4 5 6 7 8 9 10

A

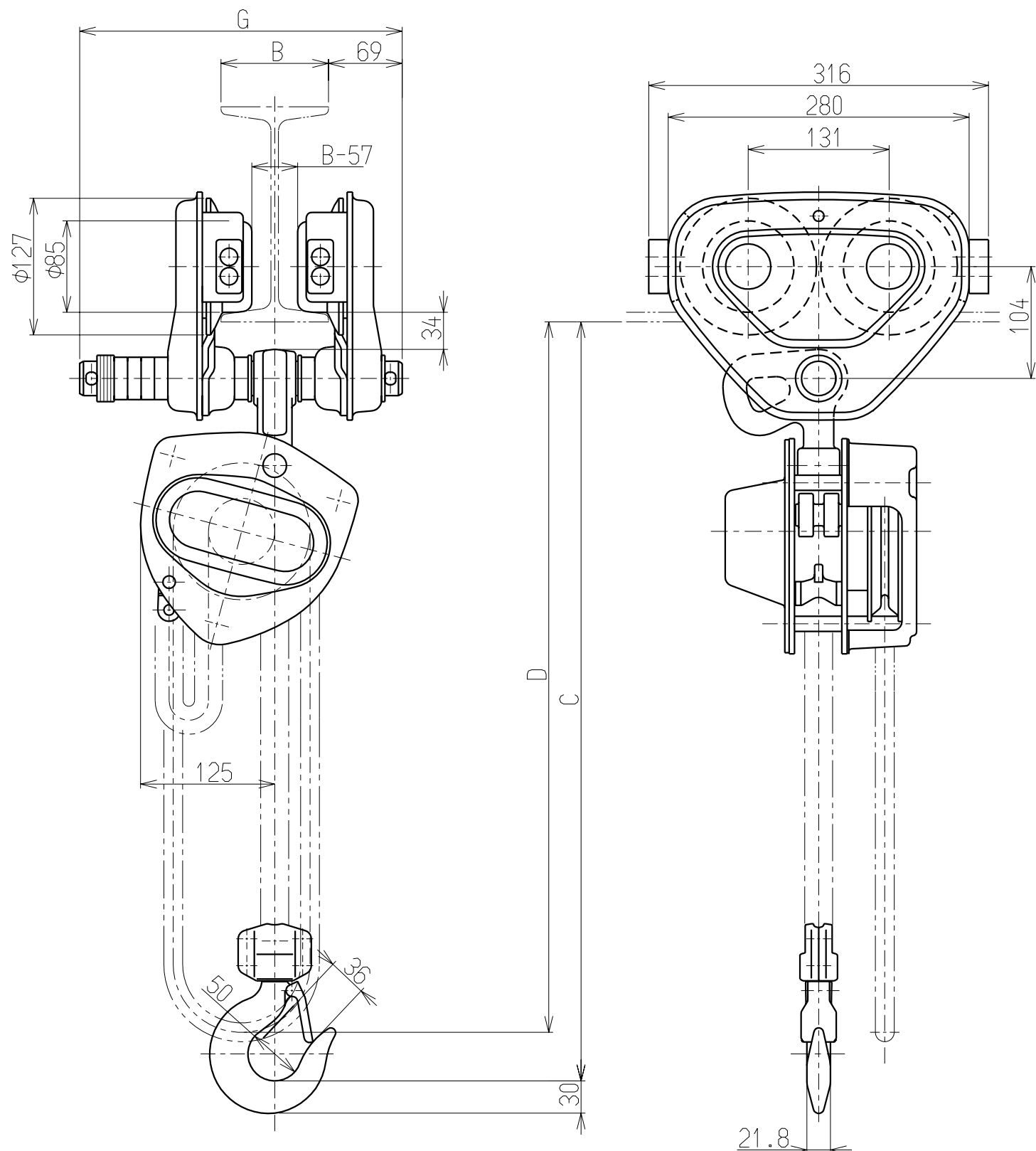
B

C

D

E

F



Particulars		
Nominal Capacity	2 t	
Lift	3.0 m	
Min. Headroom	: C	380 mm
Chain Pull to Lift Full Load	353 N (36 kg)	
Hand Chain	Length from Bottom of Beam : D	3.0 m
Min. Radius for Curve	1500 mm	1600 mm
Flange Width	: B	82~153mm 154~305mm
Max. Dimension of Trolley Width	: G	300 mm 450 mm
Mass	33 kg	34 kg

Note:
The trolley can be installed on either tapered or flat flange.

2 t CBSP SERIES CHAIN HOIST WITH PLAIN TROLLEY			
CODE	CBSP020	SCALE	1/5
DWG.NO.	C3BG020T7P-12100	DATE	

APPROVED	CHECKED	DESIGNED
SAITO 2007.10.26	OZAWA 2007.10.26	NAITO 2007.10.26
KITO CORP.		

UNIT : mm