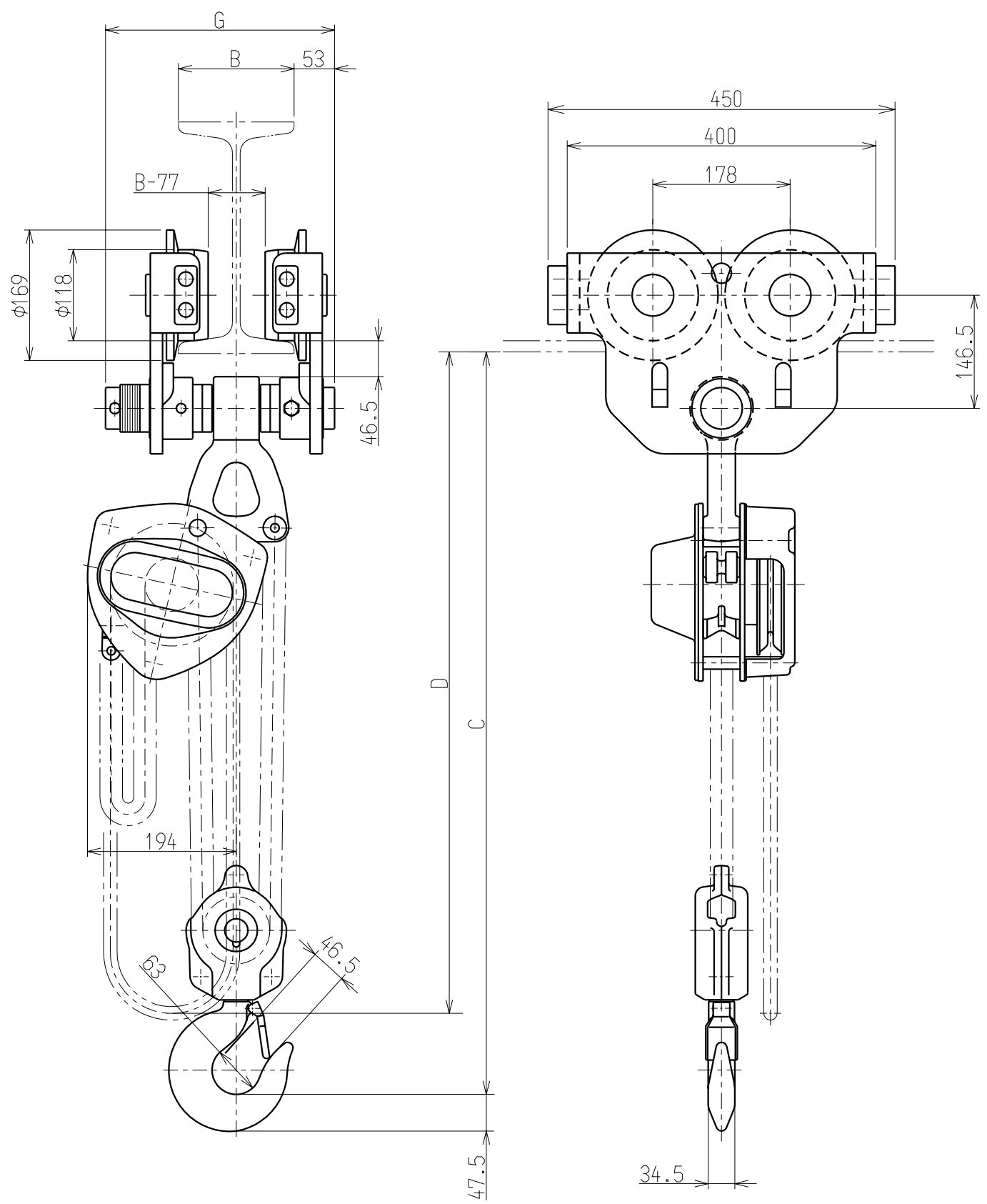


1 2 3 4 5 6 7 8 9 10

A
B
C
D
E
F



Particulars		
Nominal Capacity	5 t	
Lift	3.0 m	
Min. Headroom	: C	660 mm
Chain Pull to Lift Full Load	333 N (34 kg)	
Hand Chain	Length from Bottom of Beam : D	3.6 m
Min. Radius for Curve	2300 m	2400 m
Flange Width	: B	100~178mm 179~305mm
Max. Dimension of Trolley Width	: G	297 mm 412 mm
Mass	87 kg	90 kg

Note:
The trolley can be installed on either tapered or flat flange.

5 t CBSP SERIES
CHAIN HOIST WITH PLAIN TROLLEY

APPROVED	CHECKED	DESIGNED
SAITO 2007.10.26	OZAWA 2007.10.26	NAITO 2007.10.26
KITO CORP.		

CODE	CBSP050	SCALE	1/7
DWG.NO.	C3BG050T7P-12100	DATE	

UNIT : mm