

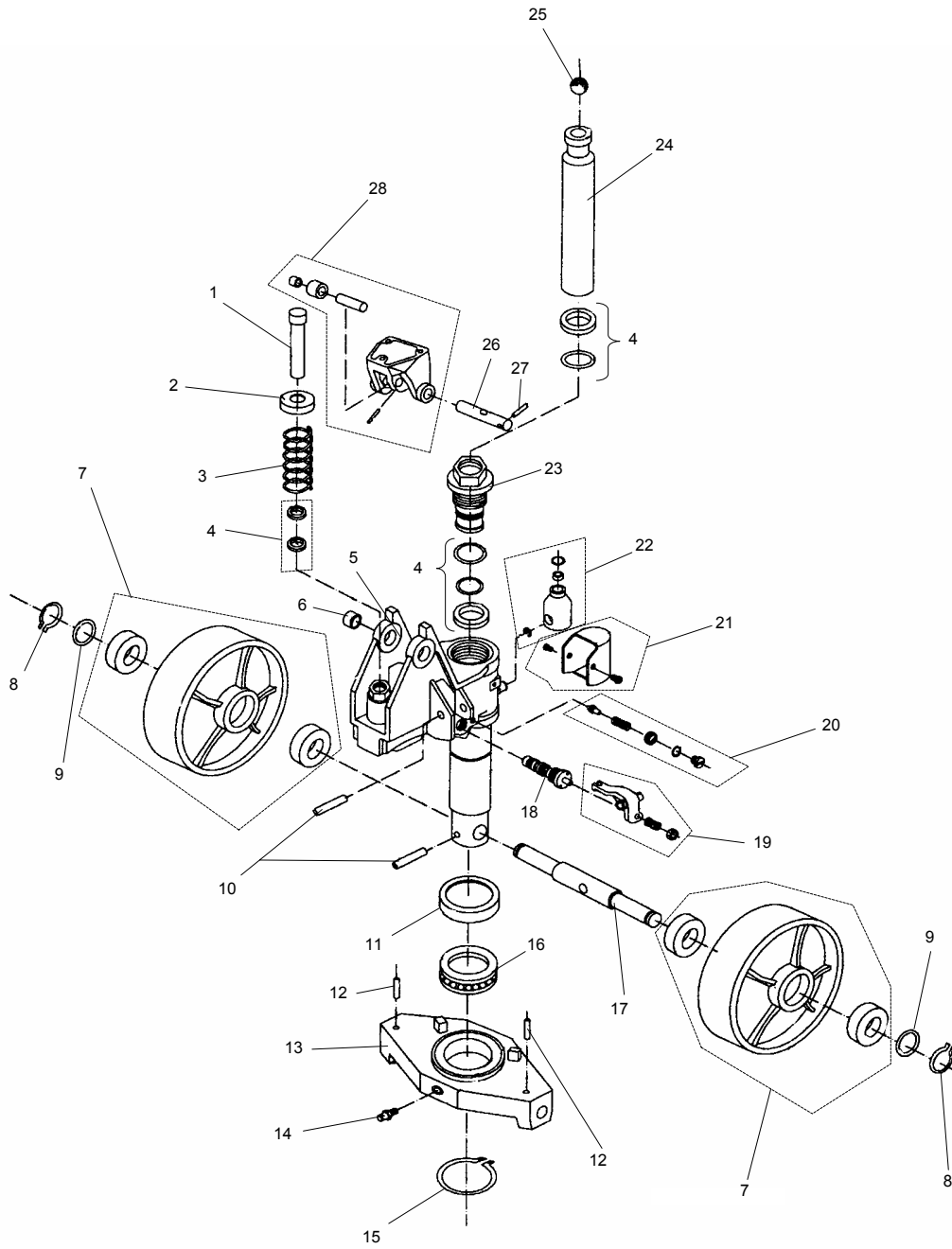
- D** Ersatzteilliste
- GB** Spare Part Manual
- F** Manuel pièces de rechange

Mod. HU Profi 25 TA



**Yale Industrial
Products GmbH**

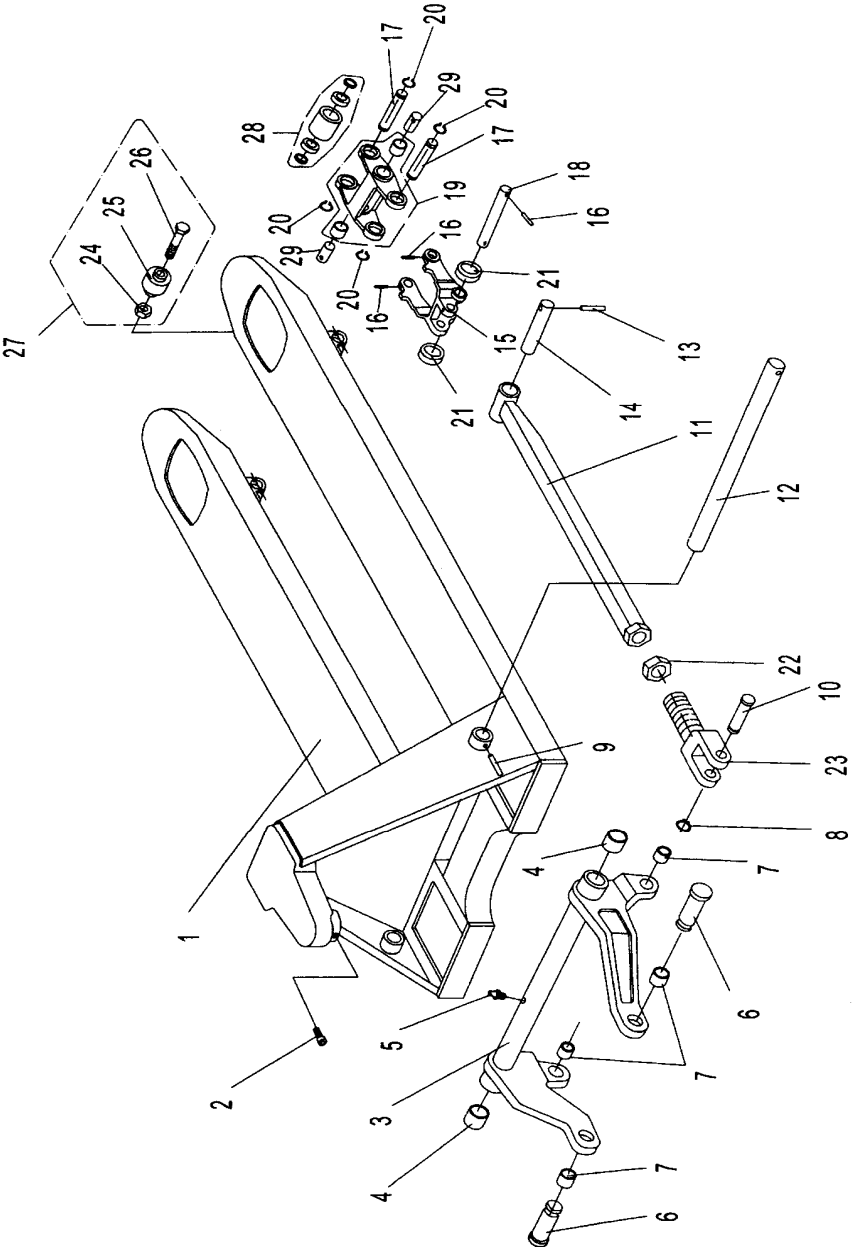
Hydraulik / Hydraulic / Hydraulique



Hydraulik / Hydraulic / Hydraulique

Pos.	Artikel-Nr. / Part No. / Pièce No.	Bezeichnung	Description	Désignation	Menge / Quantity / Quantity
1	20290031	Druckkolben	Pressure piston	Presseur piston	1
2	20290032	Kappe	Cap	Guidage	1
3	20290033	Feder	Spring	Ressort	1
4	20290034	Dichtsatz, kpl.	Seal kit, assy.	Joint set, cpl.	1
5	20290043	Bgr. Hydraulik	Body	Hydraulique	1
6	20290052	Buchse	Bushing	Bague	2
7	20211132	Lenkrolle, kpl. PUR	Steer wheel, assy. PUR	Poulie de direction, cpl. PUR	2
	20000174	Lenkrolle, kpl. PA	Steer wheel, assy. PA	Poulie de direction, cpl. PA	2
	20211873	Lenkrolle, kpl. VG	Steer wheel, assy. VG	Poulie de direction, cpl. VG	2
8	09129025	Sicherungsring	Retaining ring	Circlip	2
9	20290036	Scheibe	Washer	Rondelle	2
10	09134088	Spannstift	Spring pin	Goupille	2
11	20290037	Lagerabdeckung	Cover of bearing	Barrière	1
12	09134050	Spannstift	Spring pin	Goupille	2
13	20290039	Lagerplatte	Bearing plate	Plaque d'appui	1
14	20290040	Schmiernippel	Lubrication fitting	Graisseur	1
15	09129006	Sicherungsring	Retaining ring	Circlip	1
16	20290038	Rillenkugellager	Bearing	Roulement à billes	1
17	20290041	Lenkrollenachse	Shaft	Axe	1
18	20290042	Senkventil	Lowering valve	Soupape de abaissement	1
19	20290044	Betätigungshebel, kpl.	Operating lever, assy.	Levier de manoeuvre, cpl.	1
20	20290045	Überdruckventil, kpl.	Pressure control valve, assy.	Soupape de surpression, cpl.	1
21	20290046	Abdeckung Tank, kpl.	Cover of oil tank, assy.	Barrière de tank, cpl.	1
22	20290047	Oeltank, kpl.	Tank, assy.	Tank, cpl.	1
23	20290048	Hubkolbenführung	Piston guide	Piston élévateur guide	1
24	20290049	Hubkolben	Lifting piston	Piston	1
25	09159026	Kugel	Ball	Boule	1
26	20290050	Achse	Shaft	Axe	1
27	09134050	Spannstift	Spring pin	Goupille	1
28	20290051	Betätigungsblock, kpl.	Actuating block, assy.	Organes de manoeuvre, cpl.	1

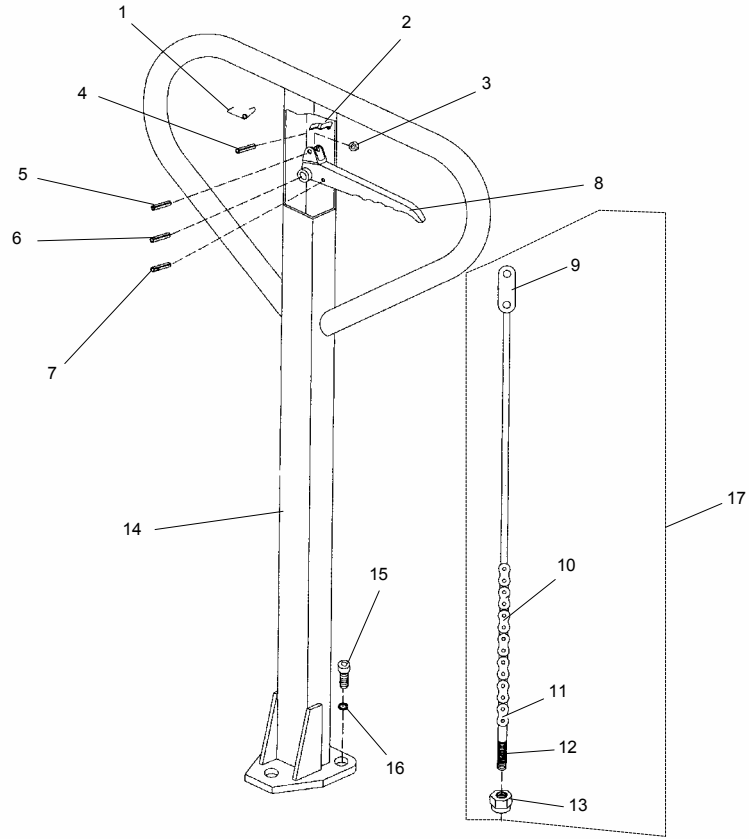
Rahmen / Frame / Bordure



Rahmen / Frame / Bordure

Pos.	Artikel-Nr. / Part No. / Pièce No.	Bezeichnung	Description	Désignation	Menge / Quantity / Quantity
1	20290012	Rahmen	Frame	Cadre	1
2	09102187	Schraube	Screw	Vis	1
3	20290013	Schwinge	Crank	Émoteur	1
4	20290014	Buchse	Bushing	Douille	2
5	20290015	Schmiernippel	Lubrication fitting	Graisreur	1
6	20290016	Bolzen	Bolt	Boulon	2
7	20290017	Buchse	Bushing	Douille	4
8	09129006	Sicherungsring	Retaining ring	Circlip	1
9	09134050	Spannstift	Spring pin	Goupille	1
10	20290018	Bolzen	Bolt	Boulon	2
11	20290019	Schubstange	Link	Bielle	2
12	20290020	Schwingenachse	Shaft	Axe d'oscillation	1
13	09134019	Spannstift	Spring pin	Goupille	2
14	20290054	Achse	Shaft	Axe	2
15	20290021	Lastrollengabel	Load roller fork	Poulie fourche de charge	2
16	09134019	Spannstift	Spring pin	Goupille	4
17	20290022	Achse	Shaft	Axe	4
18	20290023	Achse	Shaft	Axe	2
19	20290024	Achshalter	Link	Butée d'essieu	4
20	20210321	Sicherungsring	Retaining ring	Circlip	8
21	20290030	Scheibe	Washer	Rondelle	4
22	20290029	Mutter	Nut	Écrou	2
23	20290028	Gabelkopf	Fork head	Fourchette	2
24	09115098	Mutter	Nut	Écrou	2
25	20290027	Auflaufrolle	Entry roller	Poulie de entrée	2
26	09101072	Schraube	Screw	Vis	2
27	20290053	Auflaufrolle, kpl.	Entry roller, assy.	Poulie de entrée, cpl.	2
28	20290025	Lastrolle, kpl. PUR	Load roller, assy. PUR	Poulie de charge, cpl. PUR	4
	20290026	Lastrolle, kpl. PA	Load roller, assy. PA	Poulie de charge, cpl. PA	4
29	20290058	Bolzen	Bolt	Boulon	4

Handdeichsel / Handle / Main de timon



Handdeichsel / Handle / Main de timon

Pos.	Artikel-Nr. / Part No. / Pièce No.	Bezeichnung	Description	Désignation	Menge / Quantity / Quantity
1	20290001	Feder	Spring	Ressort	1
2	20290002	Federblech	Spring sheet	Tôle élastique à ressorts	1
3	20290003	Rolle	Roller	Poulie	1
4	09134143	Spannsift	Spring pin	Goupille	1
5	09134014	Spannsift	Spring pin	Goupille	1
6	09134082	Spannstift	Spring pin	Goupille	1
7	09134049	Spannstift	Spring pin	Goupille	1
8	20290004	Schaltgriff	Lever	Levier	1
9	20290005	Verbindungsglied	Connector	Raccord	1
10	20290007	Kette	Chain	Chaîne	1
11	20290008	Stift	Pin	Cheville	1
12	20290009	Gewindebolzen	Threader bolt	Boulon fileté	1
13	09115112	Mutter	Nut	Écrou	1
14	20290006	Handdeichsel	Handle	Main de timon	1
15	09102024	Schraube	Screw	Vis	3
16	09122033	Federring	Lock washer	Anneau-ressort	3
17	20290011	Zugverbinder, kpl.	Link connection, assy.	Tirant de traction, cpl.	1
1-17	20290010	Handdeichsel, kpl.	Handle, assy.	Main de timon, cpl.	1

Germany and Export territories

-European Headquarters-

Yale Industrial Products GmbH

Am Lindenkamp 31
42549 Velbert
Phone: 00 49 (0) 20 51/600-0
Fax: 00 49 (0) 20 51/600-127
Web Site: www.yale.de
E-mail: central@yale.de

Austria

Yale Industrial Products GmbH

Gewerbepark, Wiener Straße 132a
2511 Pfaffstätten
Phone: 00 43 (0) 22 52/4 60 66-0
Fax: 00 43 (0) 22 52/4 60 66-22
Web Site: www.yale.at
E-mail: zentrale@yale.at

Netherlands

Yale Industrial Products B.V.

Grotenoord 30
3341 LT Hendrik Ido Ambacht
Phone: 00 31 (0) 78/6 82 59 67
Fax: 00 31 (0) 78/6 82 59 74
Web Site: www.yaletakels.nl
E-mail: information@yaletakels.nl

Hungary

Yale Industrial Products Kft.

8000 Székesfehérvár
Repülőtér
Phone: 00 36 (06) 22/546-720
Fax: 00 36 (06) 22/546-721
Web Site: www.yale.de
E-mail: info@yale-centraleurope.com

France

Yale Leverage SARL

Zone Industrielle des Forges
18108 Vierzon Cedex
Phone: 00 33 (0) 2 48 71 85 70
Fax: 00 33 (0) 2 48 75 30 55
Web Site: www.yale-leverage.com
E-mail: centrale@yale-leverage.com

United Kingdom

Yale Industrial Products

A trading division of

Columbus McKinnon Corporation Ltd.

Knutsford Way, Sealand Industrial Estate
Chester CH1 4NZ
Phone: 00 44 (0) 1244 375375
Fax: 00 44 (0) 1244 377403
Web Site: www.yaleproducts.com
E-mail: sales.uk@cmworks.com

Yale Industrial Products (Northern Ireland)

A trading division of

Columbus McKinnon Corporation Ltd.

Unit 12, Loughside Industrial Park
Dargan Crescent, Belfast BT3 9JP
Phone: 00 44 (0) 28 90 77 14 67
Fax: 00 44 (0) 28 90 77 14 73
Web Site: www.yaleproducts.com
E-mail: sales.uk@cmworks.com

Spain and Portugal

Yale Elevación Ibérica S.L.

Ctra. de la Esclusa, 21 acc. A
41011 Sevilla
Phone: 00 34 (0) 954 29 89 40
Fax: 00 34 (0) 954 29 89 42
Web Site: www.yaleiberica.com
E-mail: informacion@yaleiberica.com

South Africa

Yale Industrial Products (Pty) Ltd.

P.O. Box 15557
Westmead, 3608
Phone: 00 27 (0) 31/7 00 43 88
Fax: 00 27 (0) 31/7 00 45 12
Web Site: www.yale.co.za
E-mail: sales@yale.co.za

China

Yale Hangzhou Industrial Products Co., Ltd.

Xiaoshan, Yiqiao, Zhejiang Province
Postcode 311256
Phone: 00 86 57 18 24 09 250
Fax: 00 86 57 18 24 06 211
Web Site: www.yale-cn.com
E-mail: may@yale-asia.com

Thailand

Yale Industrial Products Asia Co., Ltd.

525 Rajuthit Road
Hat Yai, Songkhla 90110
Phone: 00 66 (0) 74 25 27 62
Fax: 00 66 (0) 74 36 27 80
Web Site: www.yale.de
E-mail: weeraporn@yalethai.com



Certified since November 1991